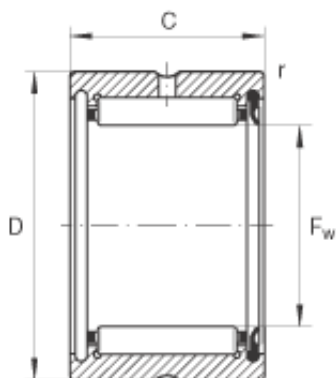




Bearing USA CORP.

INA RNA4903-RSR needle roller bearings



Bearing No. RNA4903-RSR

RNA4903-RSR Bearing 2D drawings and 3D CAD models

Size	22x30x13 mm
Bore Diameter	22 mm
Outer Diameter	30 mm
Width	13 mm
F_w	22 mm
D	30 mm
C	13 mm
r_{min}	0,3 mm
m	23 g / Weight
C_r	10000 N / Dynamic load rating (radial)
C_{Or}	11000 N / Static load rating (radial)
C_{ur}	2180 N / Fatigue limit load, radial
$n_{G\ Fett}$	9000 1/min / Limiting speed for grease lubrication
Category	Needle Non Thrust Roller Bearings
Inventory	0.0
Manufacturer Name	SCHAEFFLER GROUP
Minimum Buy Quantity	N/A
Weight / Kilogram	0.023
EAN	4012802702095
Product Group	B04144
Rolling Element	Needle Roller Bearing
Component	Roller Assembly with Outer Ring - No Inner Ring



Bearing USA CORP.

Enclosure	1 Seal
Self Aligning	No
Retainer	Yes
Number of Rows of Rollers	Single Row
Separable	No
Closed End	No
Inch - Metric	Metric
Relubricatable	Yes
Thrust Bearing	No
Long Description	22MM Bore; 30MM Outside Diameter; 13MM Width; Needle Roller Bearing; Roller Assembly with Outer Ring - No Inner Ring; 1 Seal; Not Self Aligning; Retainer; Single Row of Rollers; Not Separable; Not Clo
Other Features	2 Rib Outer Ring Precision Steel Cage Ground Raceway with Rib Oil Hole
Category	Needle Non Thrust Roller Bearing
UNSPSC	31171512
Harmonized Tariff Code	8482.99.65.30
Noun	Roller Assembly with Outer Ring
Keyword String	Bearing Needle
Manufacturer URL	http://www.ina.com
Manufacturer Item Number	RNA4903RS
Weight / LBS	0.051
Bore	0.866 Inch 22 Millimeter
Outside Diameter	1.181 Inch 30 Millimeter
Width	0.512 Inch 13 Millimeter