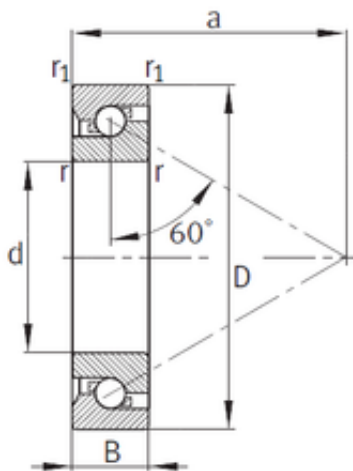




Bearing USA CORP.



75 mm x 110 mm x 15 mm FAG BSB075110-T
thrust ball bearings

Bearing No. BSB075110-T

Size	75x110x15 mm
Bore Diameter	75 mm
Outer Diameter	110 mm
Width	15 mm
d	75 mm
D	110 mm
B	15 mm
C	15 mm
Angle (°)	60 °
a	87,5 mm
r min.	1,5 mm
r1 min.	1,5 mm
Da	99,5 mm
da	85 mm
Weight	0,47 Kg
Basic dynamic load rating (C)	37 kN
Basic static load rating (C0)	133 kN

BSB075110-T Bearing 2D drawings and 3D CAD models